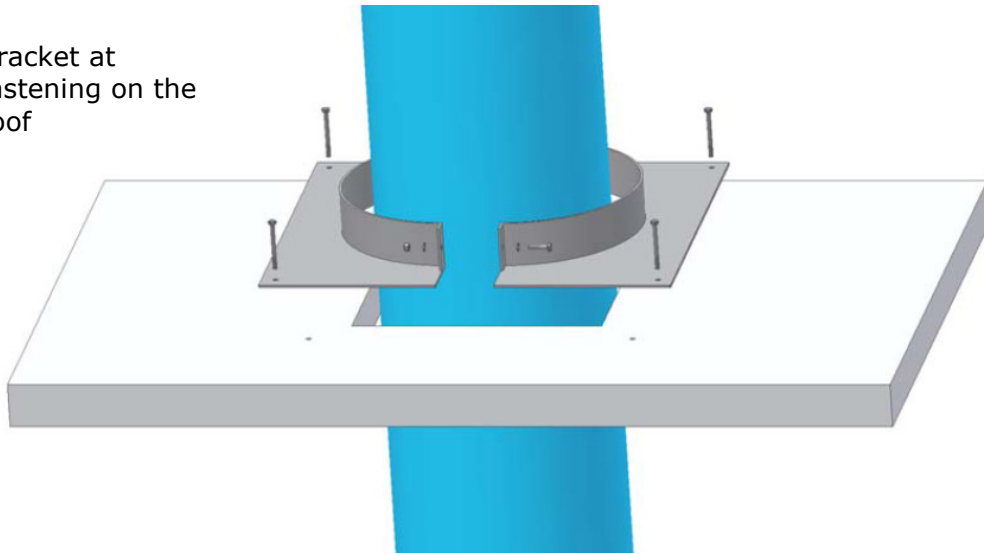


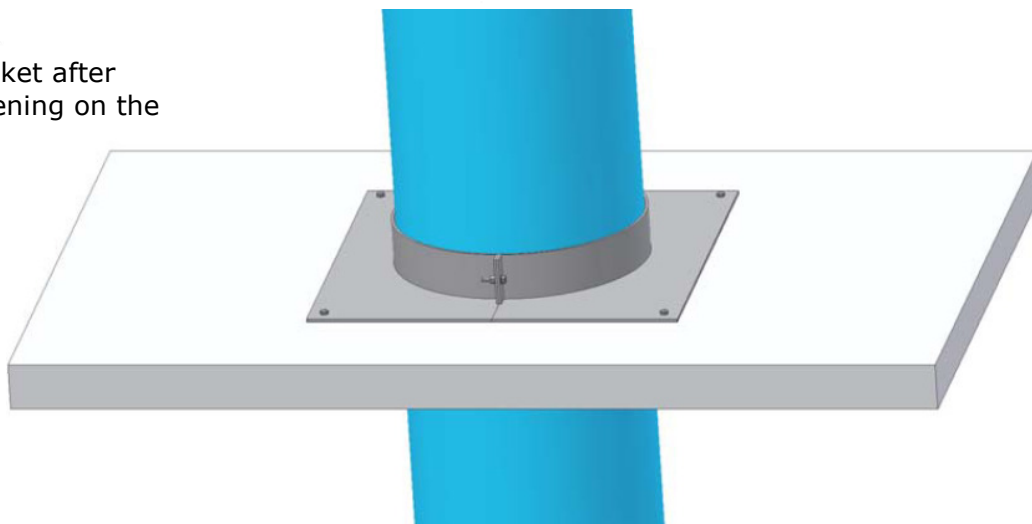
BRACKET FOR FASTENING ON THE ROOF

The bracket is made in 2 parts of S235. The bracket is painted as the stack or metallized.

Bracket at
fastening on the
roof



Bracket after
fastening on the
roof



Rev. 01-08-2012